

SLA

FACTORY ACTIVATED

SLA | READY TO START

REF **U1R-9**



12V VOLTAGE - V

300A CCA - A (EN)

28Ah CAPACITY - Ah (10Hr)

TECHNOLOGY

- Designed according to AGM technology (Absorbed acid)
- VRLA battery type
- Activated and pre-charged batteries
- Homologated by OEM

FEATURES

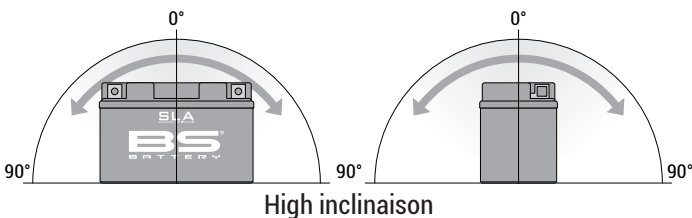
- AGM construction (Absorbed Glass Material)
- VRLA battery (Valve Regulated Lead Acid)
- Factory activated
- Environmentally friendly, spillproof design
- Multi-positional fitment
- Absolutely Maintenance free
- Sealed, no gas emission through venting hole (under normal operation)
- Ready & Easy to use
- No acid handling - Very safe
- Increased power & Extended life
- Extreme vibration resistance

UPGRADE FOR

WEIGHT

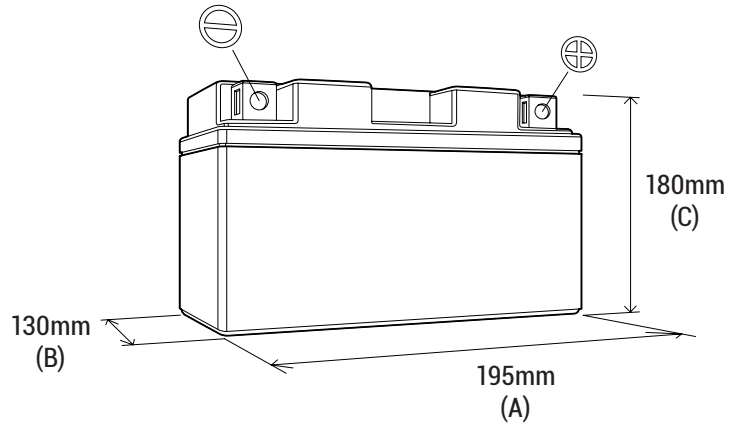
Battery (with acid) : Approx 6.45kg (14.20lbs)

MOUNTING ANGLE



DIMENSIONS

Length (A) : 195±2mm (7.68in)
 Width (B) : 130±2mm (5.12in)
 Container height : 156±2mm (6.14in)
 Total height (C) : 180±2mm (7.09in)



TERMINALS (mm)

