

# SLA

FACTORY ACTIVATED

SLA | READY TO START

## REF BTX16



**12v** VOLTAGE - v

**230A** CCA - A (EN)

**14.7Ah** CAPACITY - Ah (20Hr)

**14Ah** CAPACITY - Ah (10Hr)

### TECHNOLOGY

- Designed according to AGM technology (Absorbed acid)
- VRLA battery type
- Activated and pre-charged batteries
- Homologated by OEM

### FEATURES

- AGM construction (Absorbed Glass Material)
- VRLA battery (Valve Regulated Lead Acid)
- Factory activated
- Environmentally friendly, spillproof design
- Multi-positional fitment
- Absolutely Maintenance free
- Sealed, no gas emission through venting hole (under normal operation)
- Ready & Easy to use
- No acid handling - Very safe
- Increased power & Extended life
- Extreme vibration resistance

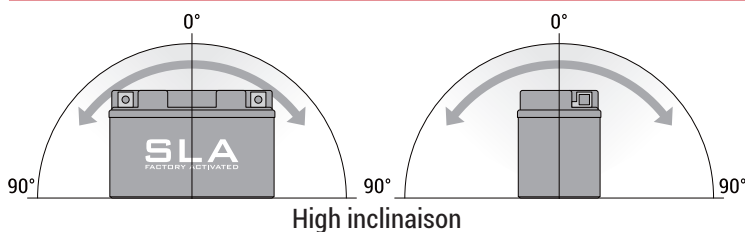
### UPGRADE FOR

MF BTX16-BS

### WEIGHT

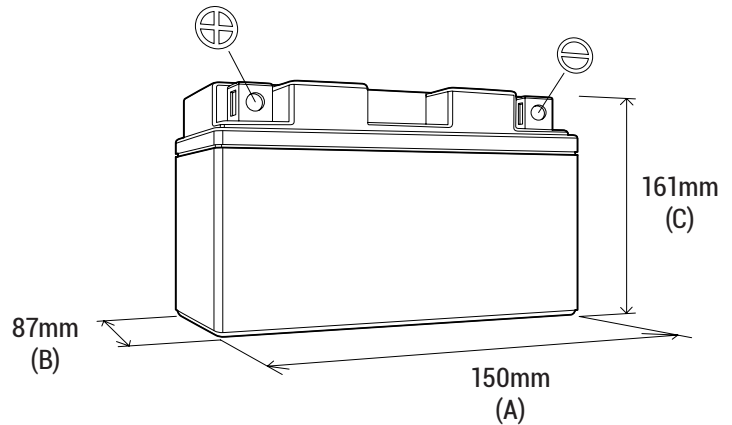
Battery (with acid): Approx 5.16kg

### MOUNTING ANGLE



### DIMENSIONS

Length (A):	150mm ±2mm
Width (B):	87mm ±2mm
Container height:	161mm ±2mm
Total height (C):	161mm ±2mm



### TERMINALS (mm)

