

## DRY BATTERY

### DRY | CONVENTIONAL

# REF BB30CL-B



**12V** VOLTAGE - V

**300A** CCA - A

**31.6Ah** CAPACITY - Ah (20Hr)

**30Ah** CAPACITY - Ah (10Hr)

#### TECHNOLOGY

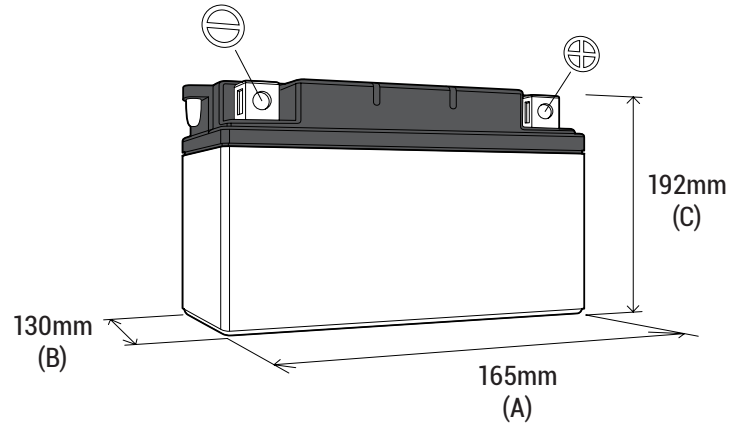
- Lead acid dry charged construction (absorbed acid)
- No acid in cells, must be filled with acid before use
- 6 & 12V batteries

#### FEATURES

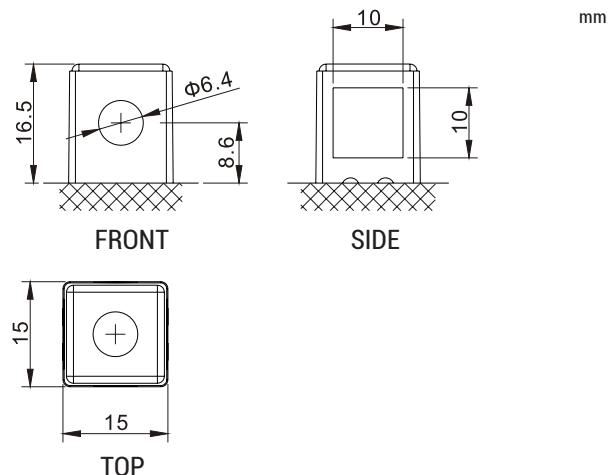
- Upright installation only
- Has to be checked periodically and refilled with water if necessary
- Internal gas emission through venting hole
- Handle with care to prevent acid spillage
- Regular life duration
- Does not need to be recharged while stocked

#### DIMENSIONS

Length (A) :	165±2mm
Width (B) :	130±2mm
Container height :	192±2mm
Total height (C) :	192±2mm



#### TERMINALS



#### UPGRADE FOR

#### WEIGHT

Battery (with acid) : Approx 8.40kg

#### MOUNTING ANGLE

