

DRY BATTERY

DRY | CONVENTIONAL

REF BB16AL-A2



12V VOLTAGE - V

210A CCA - A

16.8Ah CAPACITY - Ah (20Hr)

16Ah CAPACITY - Ah (10Hr)

TECHNOLOGY

- Lead acid dry charged construction (absorbed acid)
- No acid in cells, must be filled with acid before use
- 6 & 12V batteries

FEATURES

- Upright installation only
- Has to be checked periodically and refilled with water if necessary
- Internal gas emission through venting hole
- Handle with care to prevent acid spillage
- Regular life duration
- Does not need to be recharged while stocked

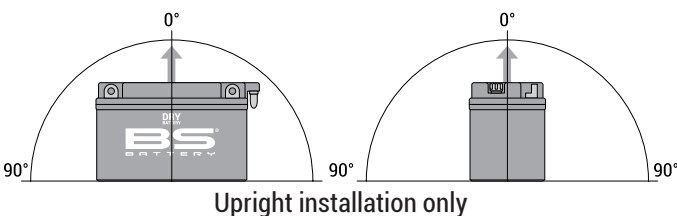
UPGRADE FOR

-

WEIGHT

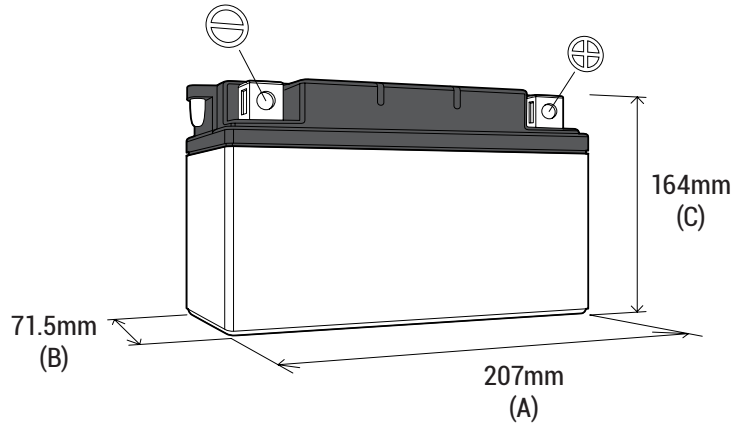
Battery (with acid) : Approx 5.55kg

MOUNTING ANGLE



DIMENSIONS

Length (A) : 207±2mm
 Width (B) : 71.5±2mm
 Container height : 164±2mm
 Total height (C) : 164±2mm



TERMINALS

